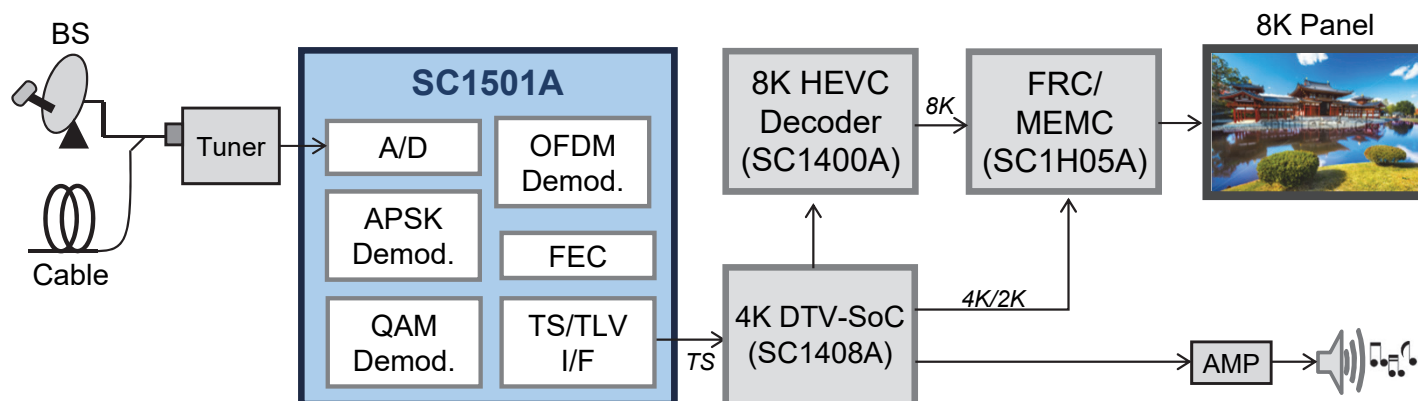




## System Configuration (8K TV)

\* SC1400A, SC1408A, SC1H05A are our products. (SC1H05A: Under development)



## Specifications

Function	Specifications
<b>Product No.</b>	SC1501A
<b>Package</b>	HQFN 48pin (7mm x 7mm), 0.5mm lead-pitch
<b>Demodulation</b>	ISDB-T/S/S3/C, DVB-T/C, J.83 Annex-B, ITU-T J.183
<b>ISDB-S3 Reception</b>	Modulation: 32APSK/ 16APSK/ 8PSK/ QPSK/ BPSK Symbol rate: 33.7561Mbaud
<b>ITU-T J.183 Reception</b>	Modulation: ISDB-C 256QAM/ 64QAM (Up to 4 carriers) Symbol rate: 5.274Mbaud
<b>I/F</b>	<b>Input</b> IF input Center frequency: Low IF Differential 1V[p-p]/ Single 1V[p-p]
	<b>Output</b> Output for MMT/TLV or TS stream
	<b>Control</b> I <sup>2</sup> C (Max. 400kbit/s)
<b>Power</b>	Voltage: External 3.3 V / Internal 1.2V

The Products and product specifications described in this document are subject to change without notice for modification and/or improvement. At the final stage of your design, purchasing, or use of the products, therefore, ask for the most up-to-date Product Standards in advance to make sure that the latest specifications satisfy your requirements. All company names, brand names and trademarks herein are property of their respective owners.

Copyright 2018-2019 Socionext Inc.  
AD04-00127-2E January 2019  
Edited : Visual Solution Business Unit

### Socionext Inc.

Nomura Shin-Yokohama Bldg.,  
2-10-23 Shin-Yokohama,  
Kohoku-ku, Yokohama, Kanagawa, 222-0033, Japan  
Tel. +81-45-568-1015  
<http://socionext.com>